

# NVM

## Non Volatile Memory Subsystem

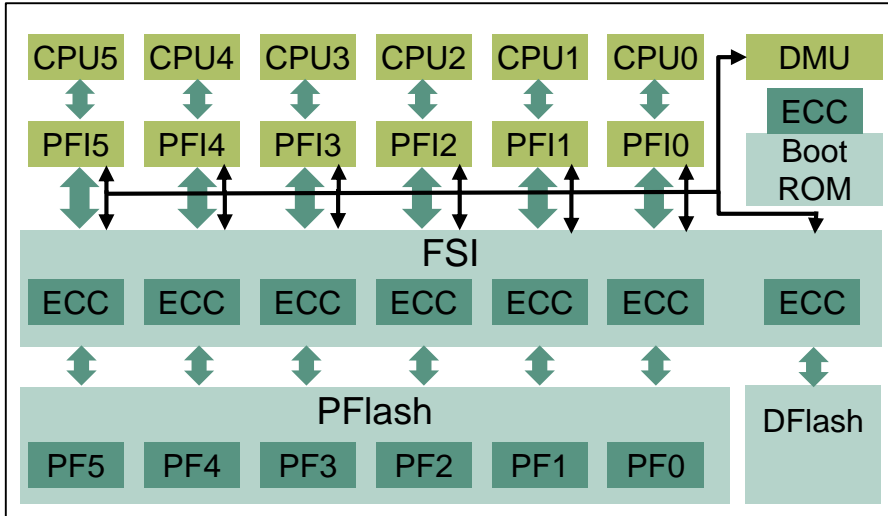
AURIX™ TC3xx Microcontroller Training  
V1.0 2020-09



[Please read the Important Notice and Warnings at the end of this document](#)

# NVM

## Non Volatile Memory Subsystem



### Highlights

The NVM subsystem comprises of Program and Data Flash Memory, Data Memory Unit (DMU), Program Flash Interface (PFI) and Flash Standard Interface (FSI).

NVM enables writing to the flash memories through a command sequencer and controls the flash accesses for safety and security through protections.

### Key Features

HS3P cell functionality

Command sequence interface

Very high ECC correction capabilities

### Customer Benefits

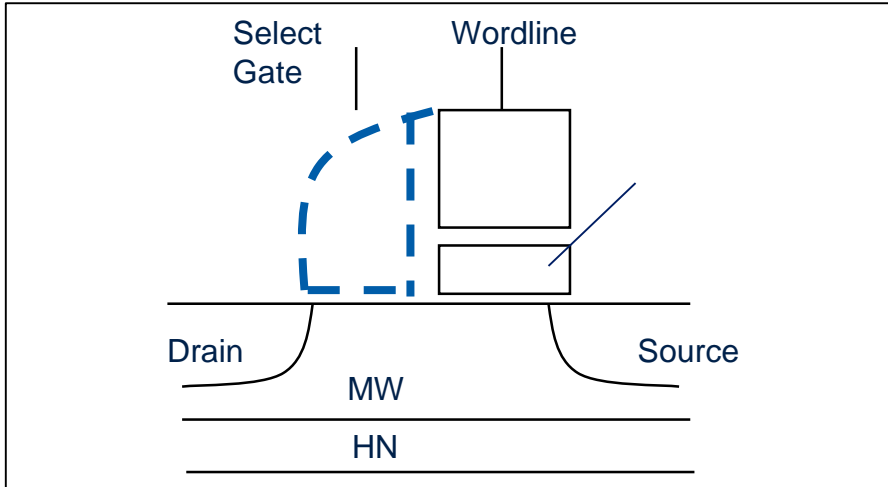
Fast Programming. For 1 MB burst, it needs ~1 s

All operations except memory mapped reads are performed with command sequences

ASIL-D optimized ECC for detection of >99% of faults in the white-noise model for PFlash

# NVM

## HS3P cell functionality



- > **HS3P (Hot Source 3 Poly) Cell Features**
- > **Program = Source Side Injection**
  - Fast (10  $\mu$ s) with low current (10  $\mu$ A)
- > **Erase = FN (Fowler Northeim)**
  - Well Erase (same as UCP cell)
- > **2T (two transistor) cell**
  - No Over-Erase-Algorithm (OEA) needed

### > **Motivation**

- Improve Erase and Programming times
- Reduce complexity (no OEA, EEPROM handling)
- Improve competitiveness in particular for small module densities

### > **Customer benefits**

- Fast Erase times (1 MB: HS3P (65 nm): <2 s, UCP (90 nm) ~ 20 s)
- Fast Programming (1 MB: HS3P (65 nm): ~1 s\*, UCP (90 nm) ~ 20 s) \*burst mode

# Command sequence interface

List of commands for Flash control	
Reset to Read	Verify Erased Page
Enter Page Mode	Verify Erased Logical Sector Range
Load Page	Erase Logical Sector Range
Write Page	Verify Erased Logical Sector Range
Write Page Once	Resume NVM Operation
Write Burst	Disable Protection
Write Burst Once	Resume Protection
Replace Logical Sector	Clear Status

- › All Flash operations except memory mapped reads are performed with command sequences. Every write access to the data flash memory range is interpreted as command cycle belonging to a command sequence
- › Write accesses to the PFlash memory range are refused with bus error
- › Command sequences consist of 1 to 9 command cycles. The command interpreter checks that a command cycle is correct in the current state of command interpretation, else a sequence error is reported
- › When the command sequence is accepted, the last command cycle finishes read mode and the Flash bank transitions into command mode

# Very high ECC correction capabilities

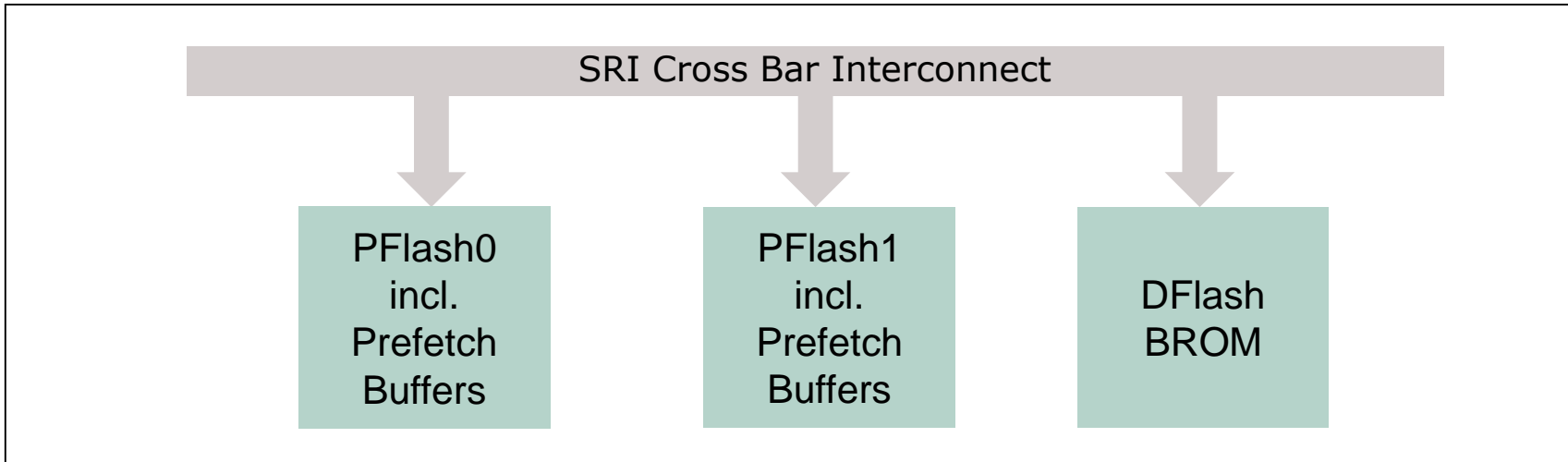
The data in Flash is stored with safety ECC codes. These are automatically generated when the data is programmed. When data is read, these codes are evaluated.

## Program Flash

- › DEC-TED (Double Error Correction, Triple Error Detection) capabilities. Each block of 256 data bits is accompanied with a set of ECC bits
- › PFlash ECC Details
  - Correction of 1-bit and 2-bit errors
  - Detection of 3-bit errors
  - Detection of >99% of all error vectors in the white noise error model
  - Detection of >99% of all-0 and all-1 cases
  - Detection of addressing errors

## Data Flash

- › TEC-QED (Triple Error Correction, Quad Error Detection) capabilities. Each block of 64 data bits is accompanied with a set of ECC bits
- › DFlash ECC Details
  - Correction of 1-bit, 2-bit and 3-bit errors
  - Detection of 4-bit errors
  - All-0 (data and ECC) is a correct code vector
  - All-1 (data and ECC) is a valid code vector
  - Address errors are not detected



- › All PFlash banks and DFlash/BROM can be read in parallel via dedicated SRI interface(s)
- › Access control for safety and security for all assigned memories
- › All PFlash banks have Prefetch Buffers implemented for improved read throughput to achieve higher system performance

# Application Example

## Simplified sequence for programming

### Overview

- › “Clear Status” to clear flags
- › “Enter Page Mode”
- › Check for Page Mode status bit or error
- › Repeat “Load Page” until the page is filled
- › “Write Page”
- › Check for Program status bit or error
- › Wait for Busy bit
- › Check for Program Verification bit
- › Fail if Operational error is set

### Advantages

- › Easy sequence of commands to perform all the programming steps
- › Each command has a notification bit to check when the operation is completed
- › Several kind of error bits to check during the sequence

## Trademarks

All referenced product or service names and trademarks are the property of their respective owners.

**Edition 2020-09**

**Published by**

**Infineon Technologies AG  
81726 Munich, Germany**

**© 2020 Infineon Technologies AG.  
All Rights Reserved.**

**Do you have a question about this document?**

**Email: [erratum@infineon.com](mailto:erratum@infineon.com)**

**Document reference**

**AURIX\_Training\_2\_**

**Non\_Volatile\_Memory\_Subsystem**

## IMPORTANT NOTICE

The information given in this document shall in no event be regarded as a guarantee of conditions or characteristics (“Beschaffenheitsgarantie”).

With respect to any examples, hints or any typical values stated herein and/or any information regarding the application of the product, Infineon Technologies hereby disclaims any and all warranties and liabilities of any kind, including without limitation warranties of non-infringement of intellectual property rights of any third party.

In addition, any information given in this document is subject to customer’s compliance with its obligations stated in this document and any applicable legal requirements, norms and standards concerning customer’s products and any use of the product of Infineon Technologies in customer’s applications.

The data contained in this document is exclusively intended for technically trained staff. It is the responsibility of customer’s technical departments to evaluate the suitability of the product for the intended application and the completeness of the product information given in this document with respect to such application.

For further information on the product, technology, delivery terms and conditions and prices please contact your nearest Infineon Technologies office ([www.infineon.com](http://www.infineon.com)).

## WARNINGS

Due to technical requirements products may contain dangerous substances. For information on the types in question please contact your nearest Infineon Technologies office.

Except as otherwise explicitly approved by Infineon Technologies in a written document signed by authorized representatives of Infineon Technologies, Infineon Technologies’ products may not be used in any applications where a failure of the product or any consequences of the use thereof can reasonably be expected to result in personal injury.